

# Talking ESD Control

A publication of ESD SYSTEMS.com • 19 Brigham St. Unit #9, Marlboro, MA 01752 USA • Issue 13 Spring 2001

## Welcome to the ESD Systems.com Store



We are happy to welcome you to our comprehensive on-line ESD Store. At [esdsystems.com](http://esdsystems.com) you can shop on-line. Our interactive shopping cart is tied to secure order submission and credit card modules, meaning it's safe and easy to shop on-line at ESD Systems.com.

You'll also find all of your ESD needs here, including:

- Full product catalog with product descriptions, images, and links to Tech Briefs
- ESD overview
- ESD training
- Technical support
- Sales contacts
- ESD standards
- Link to ESD Association
- UPS tracking
- More!

Look on page 4 of this newsletter to learn more about comprehensive ESD Training from ESD Systems.com and getting ESD training certified.

## Effective ESD Control Program Offers Financial Return of 95 to 1 ROI



*But Only if all the Links in Your Chain are Connected*

ESD Systems.com's ESD Survey Kit provides you the tools to verify that the components of your overall ESD control program are in spec and working, satisfying ANSI/ESD S 20.20 Verification Plan Test Equipment requirement.

The new ESD Systems.com ESD Survey Kit allows you to implement, manage, and maintain an effective ESD Program per industry accepted Standards like ANSI/ESD S20.20. The kit should be used in facilities that manufacture, process, assemble, install, package, label, service, test, inspect, or otherwise handle electrical or electronic parts, assemblies, and equipment susceptible to damage by electrostatic discharge.



The ESD Survey Kit is designed to survey any facility with an ESD Control program, as well as troubleshoot tools to solve problems. Everything necessary to complete an ESD survey is included:

- Surface Resistance/Resistivity Test Kit
- Ionization Test Kit which includes Digital Field Meter
- AC Outlet Analyzer
- Fluke 10 Multimeter
- Personal HBM Test Fixture
- Training Paddles
- 4mm Adjustable Speidel® Wristband
- Two D-Ring Heel Grounders
- Beige Banana Coil Cord

Item	Description	1+
41000	ESD Audit Kit	\$2,950.00

Per ANSI ESD S20.20 paragraph 6.1.3.1 "A Compliance Verification Plan shall be established to ensure the organization's compliance with the requirements of the Plan. Formal audits ... shall be conducted ... that identifies the requirements to be verified, and the frequency at which those verifications must occur. Test equipment shall be selected to make measurements." Per paragraph 6.1.3.2. "Verifications should include routine checks of the Technical Requirements. The frequency of verification checks should be based on the control item usage, its durability and associated risk of failure."

Visit us at [www.esdsystems.com](http://www.esdsystems.com) for more information on this item.

# New Mini Continuous Monitor

Continuously Monitors a Single Operator and Worksurface in a Small Package



Our newly redesigned Mini Monitor now comes in a translucent red case and features two 10mm push & clinch sockets for easy installation on the mat. The new unit also includes a 4mm stand-by parking snap that keeps the Mini Monitor from going into alarm when the user disconnects their cord. The new unit has all the features of the older unit, including all continuous monitor

features. The new Continuous Monitors pay for themselves - check out this new low price!

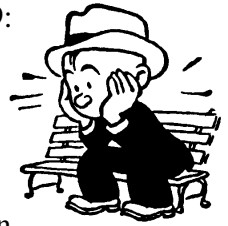
Item	Description	1-4	5+
41126	Continuous Monitor, 120 Volt NIST Calibrated	\$100.00	\$93.00
41127	Continuous Monitor, 220 Volt NIST Calibrated	\$110.00	\$102.30

To learn more about this product, download Tech Brief PS-2100:  
<http://esdstore.esdsystems.com/pdf/ps-2100.pdf>

# S20.20 Standard

What Does It Mean?

ANSI/ESD-S20.20-1999: *Development of an Electrical Discharge Control Program* is the parent document for all ESD Association



standards and is the main reference for Auditing and ESD Control Programs. This standard covers the requirements necessary to design, establish, implement, and maintain an ESD control program.

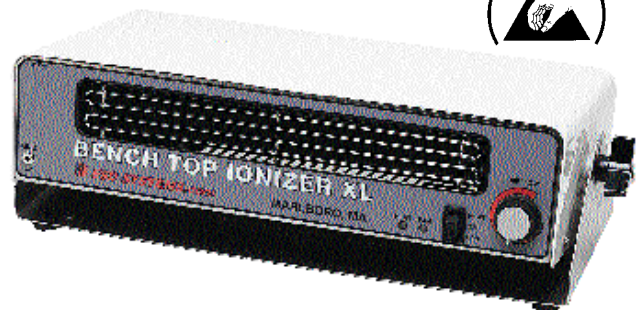
After six years and more than 20 drafts in the making, ANSI/ESD-S20.20-1999 looks to be the final standard covering the development of an ESD control program. This standard has replaced MIL-STD 1686 and can easily be substituted for EIA-625 ESD Control Standards.

S20.20 Standard can be downloaded from the ESD Associations web site:  
[http://esda.org/pdf\\_files/s2020std.pdf](http://esda.org/pdf_files/s2020std.pdf)

# XL Bench Top Ionizer has Wider Performance Zone

ESD systems.com's new XL Bench Top Ionizer is a wider unit than our standard Bench Top Ionizer and provides a 50% wider coverage zone. Per ANSI/ESD S20.20, "if insulators cannot be removed from the ESD Protected Area, ionization should be used to neutralize electrostatic charges". The new XL model features a patented Faraday balance system that automatically maintains a balanced ion output and emits ions in a true laminar flow. This reduces ion recombination and emitter contamination. In addition to increased performances, the new XL Bench Top Ionizer also features:

- AC ionizing system for superior performance in neutralizing static charges at greater distances.
- Non-nuclear operation for added safety.
- Gold plated emitters for longer life.
- Fixed temperature heater that removes chill from air and enhances worker comfort & productivity.
- Multiple installation options that provide flexibility.
- Ground point for personnel grounding.



ITEM	DESCRIPTION	1-4	5+
43106	Bench Top Ionizer, XL, 120 Volt, NIST Calibrated	\$500.00	\$465.00

To view this product on our on-line catalog, visit us at:  
<http://esdstore.esdsystems.com>

# New Portable Wrist Strap Monitor



**Great Item for Field Service Personnel**



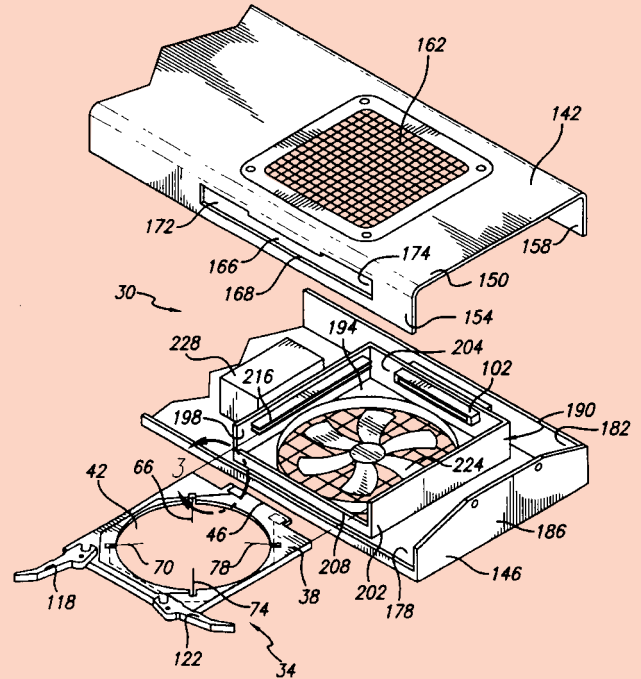
Our new Portable Wrist Strap Monitor is designed to clip onto the user's belt and is battery operated to allow the operator to be mobile; there is no power supply to connect. The unit also features a low battery warning that alerts the user when the battery needs to be replaced. The two 10mm studs on the bottom of the unit will allow the

operator to snap the unit onto the mat and ground the mat or field service kit.

Item	Description	1-4	5+
41118	Portable Wrist Strap Monitor, NIST Calibrated	\$84.00	\$78.12

To learn more about this product or to buy on-line, visit us at: [www.esdsystems.com](http://www.esdsystems.com)

# CE Ionizer Patent Approved



Desco Industries was recently awarded patent number 6,137,670 for the CE Ionizer. Our own Bob West and Alex Hernandez are the inventors. The main feature of the patented CE Ionizer is its removable emitter cassettes that allows faster and better emitter cleaning and to remotely control contamination!

# High Output Overhead Ionizer

**Now with Light and Heater**



We have improved our Overhead Ionizer by adding some new features that will improve worker productivity. In addition to the features of the previous design (item

number 43455), the new High Output Overhead Ionizer, new item number 43550, now includes a light for a well-lit, better productive work area and a heater that removes chill from the air for worker comfort and productivity.

Item	Description	1-4	5+
43550	Ionizer, Overhead, 40" 120V	\$850.00	\$790.50

Visit our web site: [www.esdsystems.com](http://www.esdsystems.com) to view this item on-line. Tech Brief 2101.

# On-Line ESD Training: Getting Certified

ESD Systems.com announces comprehensive on-line ESD training available to you located at: <http://esdtraining.esdsystems.com/>, which includes 8 training modules and certification exam now available at no charge.

The new ESD Control Program Standard ANSI/ESD S20.20 requires initial and recurrent ESD awareness and prevention training to be provided to all personnel who handle or otherwise come into contact with any ESD susceptible items. The Training Plan must use an objective evaluation technique to ensure trainee comprehension and training adequacy. See paragraph 6.1.2.1 in the ESD Association's Standard ANSI/ESD S20.20.



ESD quizzes can be taken at the student's own pace and convenience to increase ESD control knowledge. ESD Systems.com Certification Exam is designed to satisfy S 20.20's comprehension requirement and to test knowledge in ESD Control principles and practices based on the technical information within our site and the ESD Association's standards and technical documents. The exam is broken up into 8 modules that coincide with the Training Site's modules and should take under an hour to complete.

## 8 Training Modules:

1. Theory
2. Charge Prevention
3. Grounding
4. Neutralization
5. Shielding
6. Training
7. Auditing
8. Standards



**19 Brigham Street, Unit 9  
Marlboro, MA 01752-3170  
Phone: (508) 485-7390  
Fax: (800) 805-5665  
E-Mail: [service@esdsystems.com](mailto:service@esdsystems.com)  
Web: [www.esdsystems.com](http://www.esdsystems.com)**

### Receiving Duplicates? Incorrect Address?

Please fax us at 800-805-5665 or e-mail mailing information to us at [service@esdsystems.com](mailto:service@esdsystems.com). Note corrections and/or duplicates and we'll take care of it.

PRSR STD  
U.S. Postage  
PAID  
GS&W  
Services Inc

### ✓ Please route to:

- \_\_\_\_\_  
ESD Coordinator
- \_\_\_\_\_  
Quality Manager / ESD Egr.

ADDRESS SERVICE REQUESTED



Request Me!

Ask for our Full-Line Catalog!